



Customer Installable Parts

Steering Grip Kit



Contents

- 1 Fixed Steering Grip
- 1 Steering Grip Control
- 1 fastener

Specifications

- Black rubberized grip surface
- Fluid damped steering control

Tools Required

- 5mm hex wrench

Before you begin:

Do not use the parking stand to support the Segway HT while performing this procedure. The parking stand is not designed to withstand the forces that may be generated. Instead, support the platform with an object so that you have easy access to the handlebar.



WARNING

Always shut down your Segway HT and unplug the charge cord before performing any maintenance or installing any part or accessory. Follow these instructions carefully. Failure to follow these instructions carefully could damage your Segway HT and render it unsafe to use.

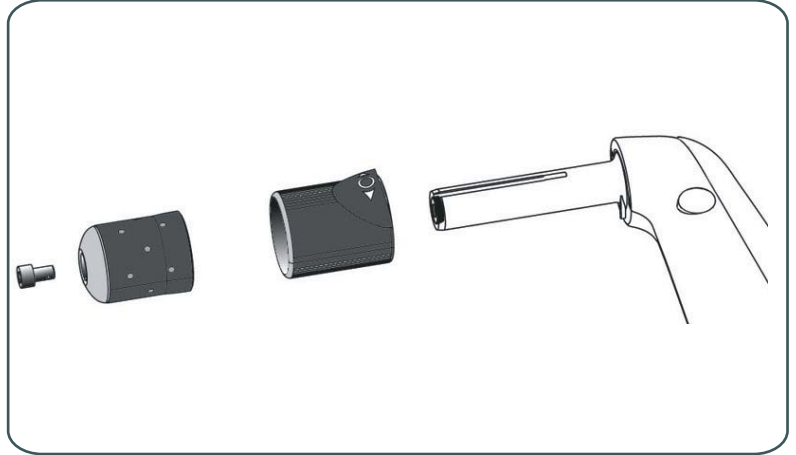
> Removal Instructions

Step 1

Remove the fastener at the end of the handlebar on the steering grip side using a 5mm hex wrench.

Step 2

Slide the fixed steering grip and steering grip control off of the handlebar.



> Installation Instructions

Note

Replace all old components, including fasteners, with the materials included in this kit.

Step 3

Orient the new steering grip control so that the raised contour is facing up and toward the front of the unit, and the key on the inside opening aligns with the groove on the handlebar, and slide the grip all the way on.

Step 4

Orient the fixed steering grip so the key on the inside opening aligns with the groove on the handlebar, and slide the grip all the way on.

Step 5

Thread in the new fastener and torque to 6.8 N-m with a 5mm hex wrench.

LIMITED WARRANTY The Segway HT Steering Grip Kit is a Replacement Part covered by the Segway™ Human Transporter Replacement Parts Limited Warranty (copy delivered with this kit).



Questions?

If you are missing a part, or if you need to return the product please contact Segway Customer Operations at 866.4SEGWAY (866.473.4929) or on our website at www.segway.com/support/contact_us.html.